

# FLAT SWIVEL UNITS

## SERIES SF-C

### ▶ PRODUCT ADVANTAGES



#### “The superior”

##### ▶ Up to 100% more performance than the benchmark

Superior end position damping lets you swivel more mass in the shortest amount of time, increasing your machine's component output

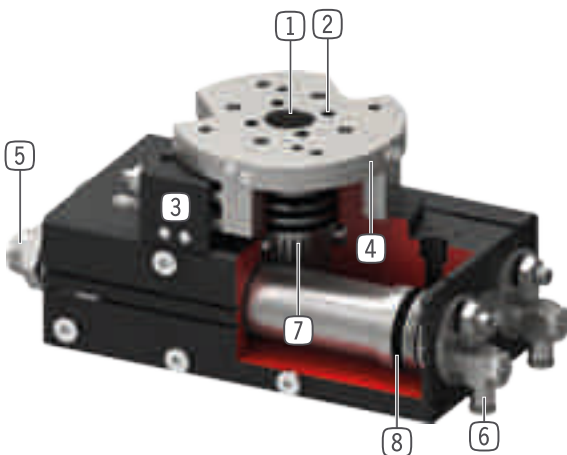
##### ▶ Large centre bore

Reduce the interference contours in your application by placing your power supply line directly through the middle of the rotary flange

##### ▶ More than 100% higher radial bearing load than the benchmark

The generously scaled bearings stand for robustness and long service life and provide the highest process reliability for your application

### ▶ BENEFITS IN DETAIL



#### ① Two way ball bearing hollow shaft

- for feedthrough cables and hoses
- high forces and moments capacity

#### ② Up to 8 way integrated air feed-through

- for hoseless air transfer
- hose package does not have to be pivoted

#### ③ Adjustable end position

- +/- 3° adjustable end position

#### ④ Large, precise locating flange

- simple tool connection

#### ⑤ Integrated shock absorbers with spiral groove technology

- adjustable end position damping
- heating is prevented through installation in pneumatic pressure chamber

#### ⑥ Air flow control valve

- for speed regulation (included in the delivery)

#### ⑦ Force transfer

- rack and pinion

#### ⑧ Drive

- two double-acting pneumatic cylinders
- high torque rating



## ► SERIES CHARACTERISTICS

| Installation size |   | Version |       |   |       |        |    |    |      |   |     |
|-------------------|---|---------|-------|---|-------|--------|----|----|------|---|-----|
| SFXXX             |   | -90N    | -180N | N | -90DX | -180DX | DX | ML | MLDX | M | MDX |
|                   | 10 million maintenance-free cycles (max.) | •       | •     | • | •     | •      | •  | •  | •    | • | •   |
|                   | IP64                                      | •       | •     | • | •     | •      | •  | •  | •    | • | •   |
|                   | Inductive sensor                          | •       | •     | • | •     | •      | •  | •  | •    | • | •   |
|                   | Magnetic field sensor                     | •       | •     | • | •     | •      | •  | •  | •    | • | •   |
|                   | Flange                                    | •       | •     | • | •     | •      | •  | •  | •    | • | •   |
|                   | Powerstop end position damping            | •       | •     | • | •     | •      | •  | •  | •    | • | •   |
|                   | End positions adjustable +/- 3            | •       | •     | • | •     | •      | •  | •  | •    | • | •   |
|                   | Positionability - 2 positions             | •       | •     | • | •     | •      | •  |    |      |   |     |
|                   | Positionability - 3 positions             |         |       |   |       |        |    | •  | •    |   |     |
|                   | Positionability - 3 positions locked      |         |       |   |       |        |    |    |      | • | •   |
|                   | Rotation angle 90°                        | •       |       |   | •     |        |    | •  | •    | • | •   |
|                   | Rotation angle 180°                       |         | •     |   |       | •      |    | •  | •    | • | •   |
|                   | Swivel angle 180° freely adjustable       |         |       | • |       |        | •  |    |      |   |     |
|                   | Fluid feed-through                        |         |       |   | •     | •      | •  |    | •    |   | •   |

## ► TECHNICAL DATA

| Installation size | Swivel angle [°] | Torque [Nm] | Weight [kg] | IP class |
|-------------------|------------------|-------------|-------------|----------|
| SF50              | 0 - 180          | 1,5 - 2,4   | 0,6 - 1,14  | IP64     |
| SF74              | 0 - 180          | 4,5 - 7,3   | 1,6 - 2,6   | IP64     |
| SF100             | 0 - 180          | 13 - 20     | 3,7 - 5,8   | IP64     |
| SF125             | 0 - 180          | 32 - 38     | 8,8 - 12,9  | IP64     |
| SF155             | 0 - 180          | 54 - 62     | 15 - 21,8   | IP64     |
| SF195             | 0 - 180          | 120 - 130   | 27,5 - 41,1 | IP64     |

## ► FURTHER INFORMATION IS AVAILABLE ONLINE



All information just a click away at: [www.zimmer-group.com](http://www.zimmer-group.com). Find data, illustrations, 3D models and operating instructions for your installation size using the order number for your desired product. Quick, clear and always up-to-date.

# FLAT SWIVEL UNITS

## SERIES SF-C

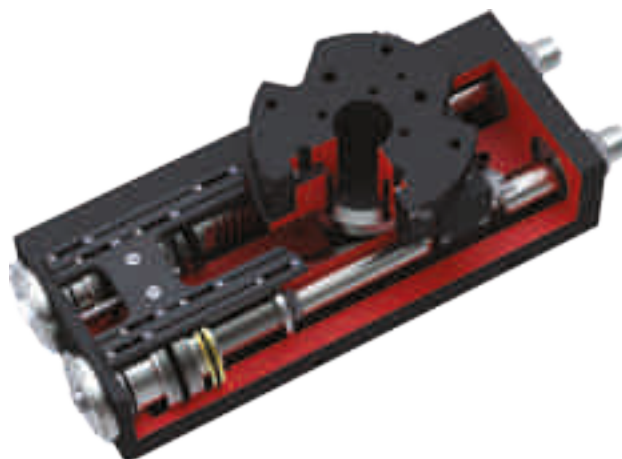
### ► HOW TO ORDER CORRECTLY

| Order no.  | SF | <input type="checkbox"/> | <input type="checkbox"/> | -C |
|--|----|--------------------------|--------------------------|----|
| Flat swivel units  |    |                          |                          |    |
| Installation size  |    | 50                       |                          |    |
| Installation size  |    | 74                       |                          |    |
| Installation size  |    | 100                      |                          |    |
| Installation size  |    | 125                      |                          |    |
| Installation size  |    | 155                      |                          |    |
| Installation size  |    | 195                      |                          |    |
| Swivel angle 0° - 180°, infinitely variable  |    |                          | N                        |    |
| Integrated hoseless pneumatic feed-through, 4-way  |    |                          | D4                       |    |
| Integrated hoseless pneumatic feed-through, 6-way  |    |                          | D6                       |    |
| Integrated hoseless pneumatic feed-through, 8-way  |    |                          | D8                       |    |
| Rotation angle 90°   |    |                          | -90N                     |    |
| Integrated hoseless pneumatic feed-through, 4-way  |    |                          | -90D4                    |    |
| Integrated hoseless pneumatic feed-through, 6-way  |    |                          | -90D6                    |    |
| Integrated hoseless pneumatic feed-through, 8-way  |    |                          | -90D8                    |    |
| Rotation angle 180°  |    |                          | -180N                    |    |
| Integrated hoseless pneumatic feed-through, 4-way  |    |                          | -180D4                   |    |
| Integrated hoseless pneumatic feed-through, 6-way  |    |                          | -180D6                   |    |
| Integrated hoseless pneumatic feed-through, 8-way  |    |                          | -180D8                   |    |
| <b>Version: ML (Size SF50 / SF74 / SF100)</b>  |    |                          |                          |    |
| <ul style="list-style-type: none"> <li>► At -90° and +90° position, mechanical and shock-absorbed fixed stop</li> <li>► 0° position is not locked, as opposed to the M version</li> <li>► For these units, the driven pistons move against dominant limit stop pistons and, like for the locked center position, undergo shock absorption while moving into end position</li> <li>► Simplified activation for horizontal rotary movements</li> </ul> |    |                          |                          |    |
| Swivel angle -90° - 0° - +90°  |    |                          | ML                       |    |
| Integrated hoseless pneumatic feed-through, 4-way  |    |                          | MLD4                     |    |
| Integrated hoseless pneumatic feed-through, 6-way  |    |                          | MLD6                     |    |
| Integrated hoseless pneumatic feed-through, 8-way  |    |                          | MLD8                     |    |
| <b>Version: M (Size SF125 / SF155 / SF195)</b>   |    |                          |                          |    |
| <ul style="list-style-type: none"> <li>► All three positions for mechanical and shock-mounted fixed stop</li> <li>► 0° center position using two stopper pistons with integrated shock absorbers</li> <li>► A mechanical fixed stop is generated using ratchet bolts that are pushed through arrester pistons into the ring groove of the stopper piston</li> </ul>  |    |                          |                          |    |
| Swivel angle -90° - 0° - +90°  |    |                          | M                        |    |
| Integrated hoseless pneumatic feed-through, 4-way  |    |                          | MD4                      |    |
| Integrated hoseless pneumatic feed-through, 6-way  |    |                          | MD6                      |    |
| Integrated hoseless pneumatic feed-through, 8-way  |    |                          | MD8                      |    |

▶ **VERSION: ML (SIZE SF50 / SF74 / SF100)**



▶ **VERSION: M (SIZE SF125 / SF155 / SF195)**



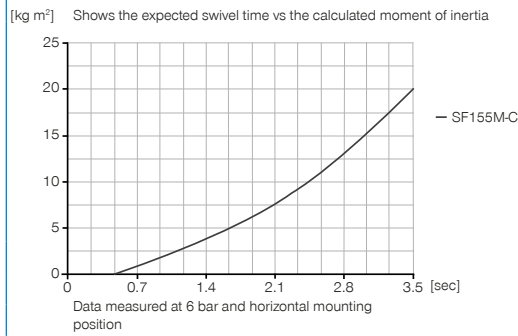
# FLAT SWIVEL UNITS

## INSTALLATION SIZE SF155M-C

### ▶ PRODUCT SPECIFICATIONS



#### ▶ Moment of inertia



### ▶ INCLUDED IN DELIVERY



2 [piece]  
Flow Control Valves - with Swivel joint  
**DRV1-4X8**



1 [piece]  
Attachment Kit  
**ANS0077**



1 [piece]  
Commissioning USB  
**052650**

### ▶ RECOMMENDED ACCESSORIES



#### ENERGY SUPPLY



**DSV1-8**  
Pressure safety valve



**DSV1-8E**  
Pressure safety valve with quick exhaust



#### SENSORS



**MFS02-K-KHC-P1-PNP**  
Magnetic field sensor straight, cable 5 m



#### SENSORS



**MFS02-S-KHC-P1-PNP**  
Magnetic field sensor straight, cable 0.3 m - M8 connector



#### CONNECTIONS / OTHER



**KAG500**  
Plug-in connector Straight Cable 5m - Socket M8 (female)



**S8-G-3**  
Plug-in connector customizable Straight - Connector M8

### ▶ RECOMMENDED ACCESSORY ATTACHMENT KIT



**NJ8-E2**  
Inductive proximity switch - Cable 5 m

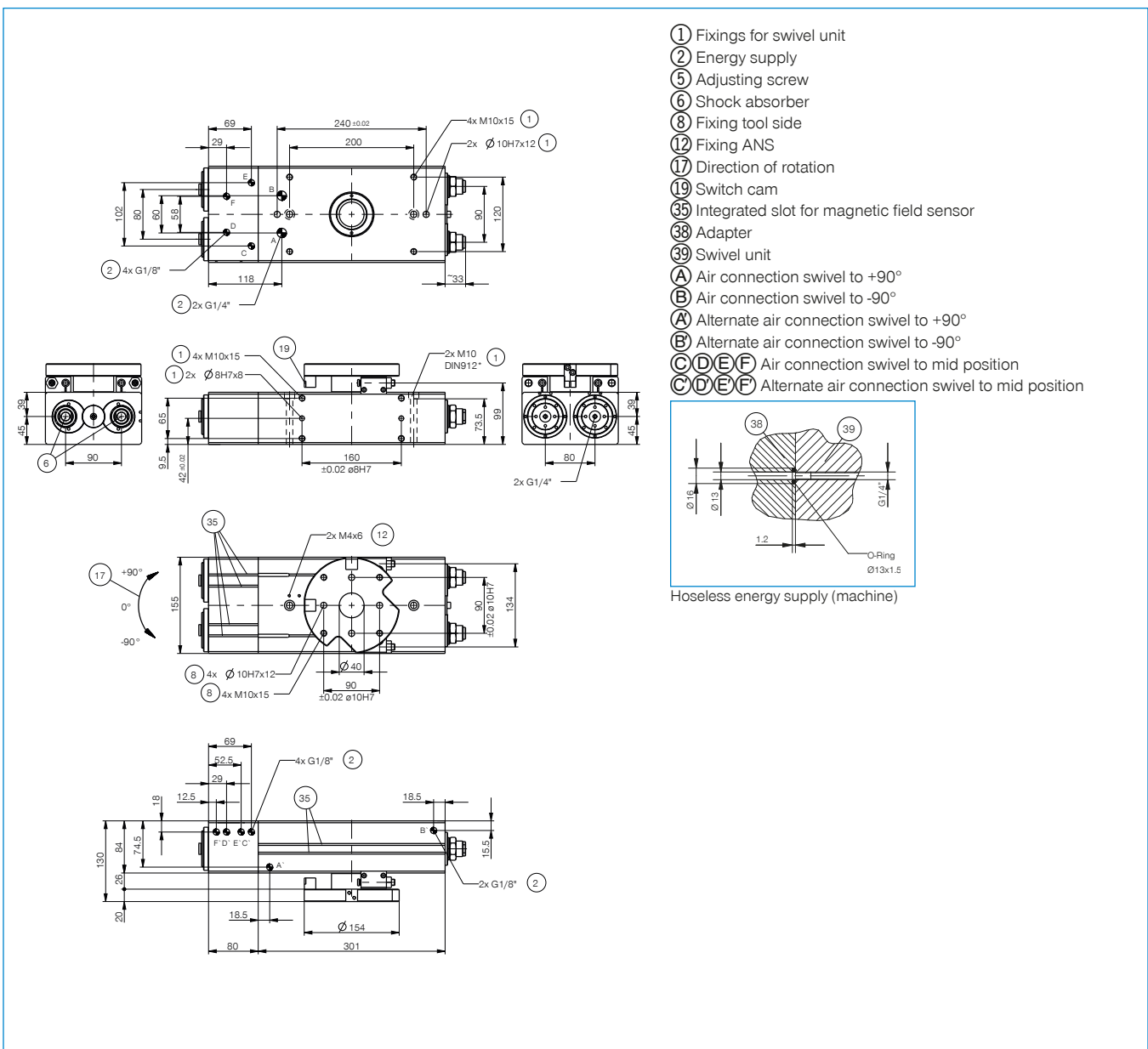


**KAW500**  
Plug-in connector Angled Cable 5m - Socket M8 (female)



**NJ12-E2**  
Inductive proximity switch - Cable 5 m

| Order no.                        | Technical data  |
|----------------------------------|-----------------|
|                                  | <b>SF155M-C</b> |
| Swivel angle [°]                 | -90 / 0 / +90   |
| Torque [Nm]                      | 62              |
| Swivel angle regulable +/- [°]   | 3               |
| Passage bore Ø [mm]              | 40              |
| Axial bearing load [N]           | 5900            |
| Radial bearing load [Nm]         | 761             |
| Repetition accuracy +/- [°]      | 0.01            |
| Operating pressure min. [bar]    | 3               |
| Operating pressure max. [bar]    | 8               |
| Nominal operating pressure [bar] | 6               |
| Operating temperature min. [°C]  | 5               |
| Operating temperature max. [°C]  | +80             |
| Air volume per cycle [cm³]       | 1010            |
| Weight [kg]                      | 19.3            |

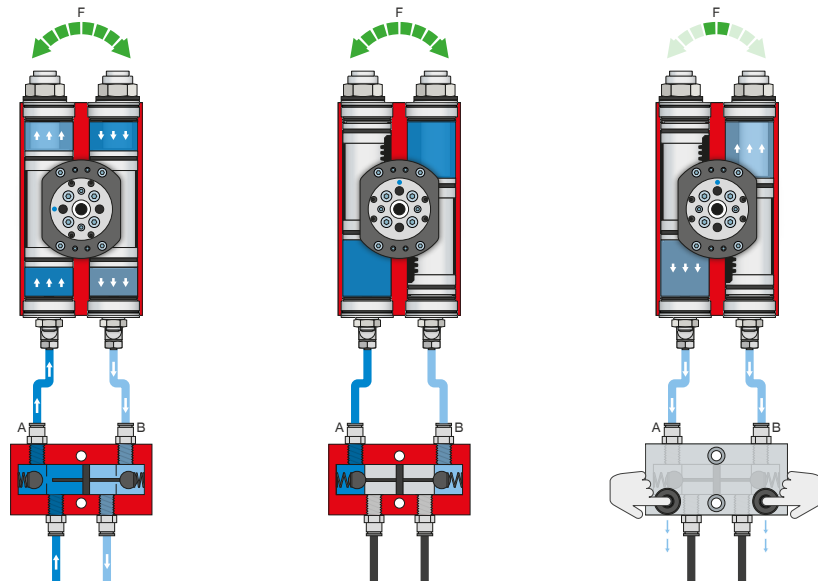


# FLAT SWIVEL UNITS

## SERIES SF-C FUNCTIONAL DESCRIPTION



### ENERGY SUPPLY



### Pressure safety valve – DSV

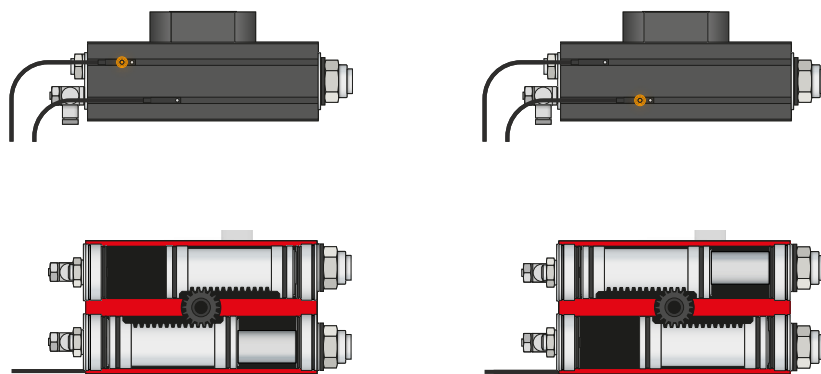
Ensures safe retention of force and position if the system pressure drops

The integrated double check valve, which can be unlocked, retains the system pressure of the swivel unit in case of EMERGENCY STOP. To ensure the function, the valve must be installed as close to the swivel unit's air connection as possible. In variant E, two pushbuttons are installed that allow for controlled bleeding of the swivel unit.



### SENSORS

MFS02



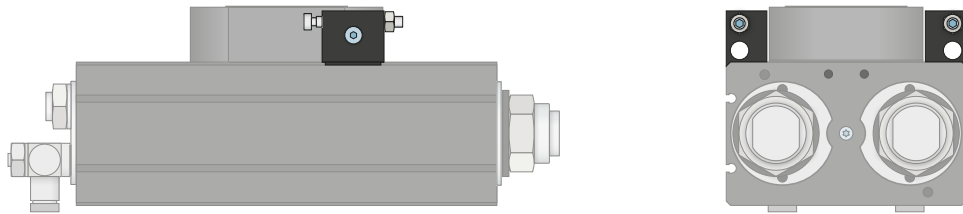
### 1-point magnetic field sensors – MFS

For non-contact sensing of the piston position

These sensors are clamped in the C-groove of the swivel unit and detect the magnet attached to the piston of the swivel unit. To ensure use in a wide variety of space conditions, the sensors are available in two versions. While the horizontal MFS02, with straight cable outlet, disappears into the C-groove of the swivel unit almost completely, the vertical MFS01 is taller, but has a cable outlet that is offset at an angle of 90°. The variants are available in versions with 5 m cables with exposed leads and 0,3 m cable with connector.

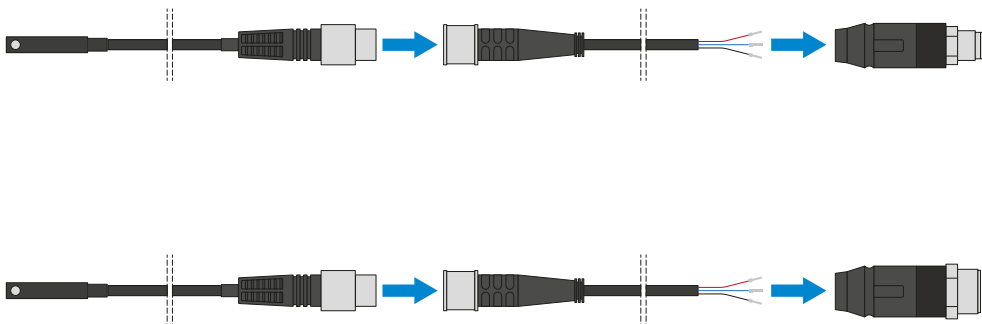


## CONNECTIONS / OTHER



### Attachment kit

The attachment kit is installed on the gripper using the fastening material included in the scope of delivery. The attachment kit enables sensing of the gripper positions via inductive proximity switches.



### Plug-in connectors

#### For extending and fabricating the connection lines for the sensors

Cables with a length of 5 m with exposed leads are available. Depending on the specific needs, the cables can be shortened or fabricated with connectors in sizes M8 and M12.