

# NEEDLE GRIPPER

## SERIES SCH

### ▶ PRODUCT ADVANTAGES



#### ▶ Smooth stroke configuration

Adjust the needle stroke individually and smoothly via the direct needle setting

#### ▶ Flat structure

Due to its compact design, you save precious space in your machine

#### ▶ Query about magnetic field sensor technology

Detecting the end position allows you to have faster cycle times and an integrated control system

### ▶ SERIES CHARACTERISTICS

#### Installation size

#### SCHXX



5 million maintenance-free cycles (max.)



Magnetic field sensor

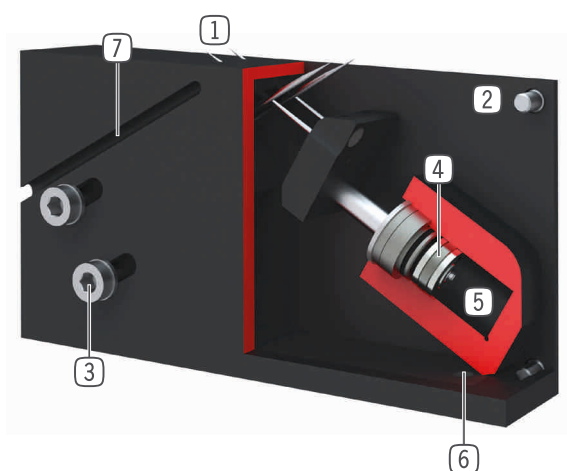


IP30





## ► BENEFITS IN DETAIL



- ① **Extending needles**
  - gripping by penetration
- ② **Robust, lightweight housing**
  - Hard-coated aluminum alloy
- ③ **Stroke adjustment**
  - by shifting in an elongated hole
- ④ **Drive**
  - two double-acting pneumatic cylinders
- ⑤ **Energy supply**
- ⑥ **Mounting and positioning**
- ⑦ **Sensing slot**
  - mounting and positioning of magnetic field sensors

## ► TECHNICAL DATA

Installation size	Needle stroke adjustable [mm]	Needle diameter [mm]	Weight [kg]	IP class
SCH20	0 - 6	1.2	0.35	IP30
SCH23	0 - 6	3	0.37	IP30

## ► FURTHER INFORMATION IS AVAILABLE ONLINE



All information just a click away at: [www.zimmer-group.com](http://www.zimmer-group.com). Find data, illustrations, 3D models and operating instructions for your installation size using the order number for your desired product. Quick, clear and always up-to-date.

# NEEDLE GRIPPER

## INSTALLATION SIZE SCH23

### ▶ PRODUCT SPECIFICATIONS



### ▶ INCLUDED IN DELIVERY



4 [piece]  
Spare needle  
**CNAD00230**



1 [piece]  
Pneumatic face hose  
**PYA**

### ▶ RECOMMENDED ACCESSORIES



#### SENSORS



**MFS02-K-KHC-P1-PNP**  
Magnetic field sensor straight, cable 5 m



**MFS02-S-KHC-P1-PNP**  
Magnetic field sensor straight, cable 0.3 m - M8 connector



#### CONNECTIONS / OTHER



**KAG500**  
Plug-in connector Straight Cable 5m - Socket M8 (female)



#### CONNECTIONS / OTHER



**KAW500**  
Plug-in connector Angled Cable 5m - Socket M8 (female)



**S8-G-3**  
Plug-in connector customizable Straight - Connector M8



**S12-G-3**  
Plug-in connector customizable Straight - Connector M12



Order no.	Technical data
	<b>SCH23-B</b>
Needle stroke adjustable min. [mm]	0
Needle stroke adjustable max. [mm]	6
Number of needles [piece]	4
Needle diameter [mm]	3
Retract time / Extend time [s]	0.2
Repetition accuracy +/- [mm]	0.05
Operating pressure min. [bar]	4
Operating pressure max. [bar]	8
Nominal operating pressure [bar]	6
Operating temperature min. [°C]	5
Operating temperature max. [°C]	+80
Air volume per cycle [cm <sup>3</sup> ]	5
Weight [kg]	0.37

