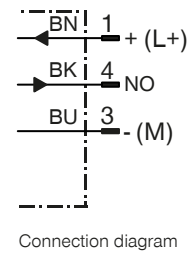
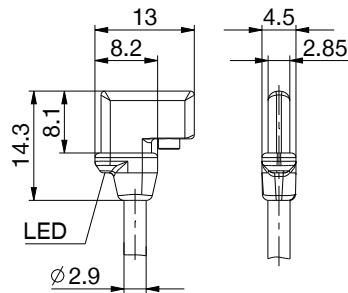
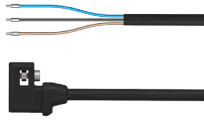


MAGNETIC FIELD SENSORS

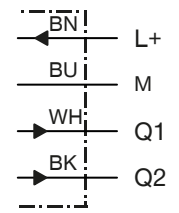
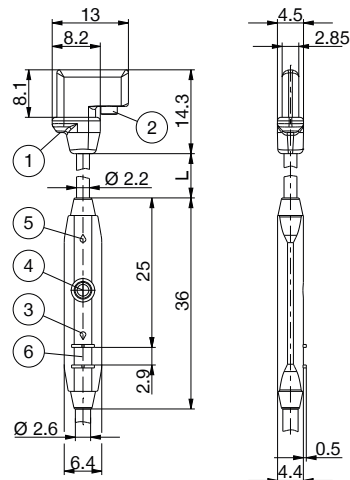
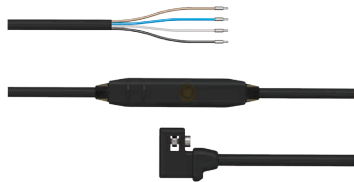
MFS01-K-KHC-P1-PNP



Order no.	MFS01-K-KHC-P1-PNP
General data	
Cylinder design	C-slot
Housing length [mm]	13
Switching output	PNP
Switching frequency [Hz]	1000
Switching function	Normally open (NO)
Electrical version	DC 3-wire
Protection to IEC 60529	IP68
Certification	CE
Electrical / Mechanical data	
Supply voltage [V DC]	10 ... 30
Current consumption [mA]	≤8
Voltage drop [V]	≤2.5
Continuous current [mA]	≤100
Response sensitivity typ. [mT]	1.7
Overrun distance typ. [mm]	2
Hysteresis typ. [mT]	≤0.4
Reproducibility [mT]	≤0.1
Protected against polarity reversal	Yes
Short-circuit-proof	Yes
Power-up pulse protection	Yes
Ambient temperature range [°C]	-30 ... +80
Shock and vibration resistance	30 g, 11 ms / 10 ... 55 Hz, 1 mm
Housing Material	Plastics
Connection type	Cable
Cable length [m]	5
Nr. of wires x diameter [mm ²]	3x0.14
Cable sheath material	PUR
Bending radius for fixed routing, min.	3xØ
Bending radius when using a drag chain, min.	5xØ

MAGNETIC FIELD SENSORS

MFS01-K-KHC-P2-PNP



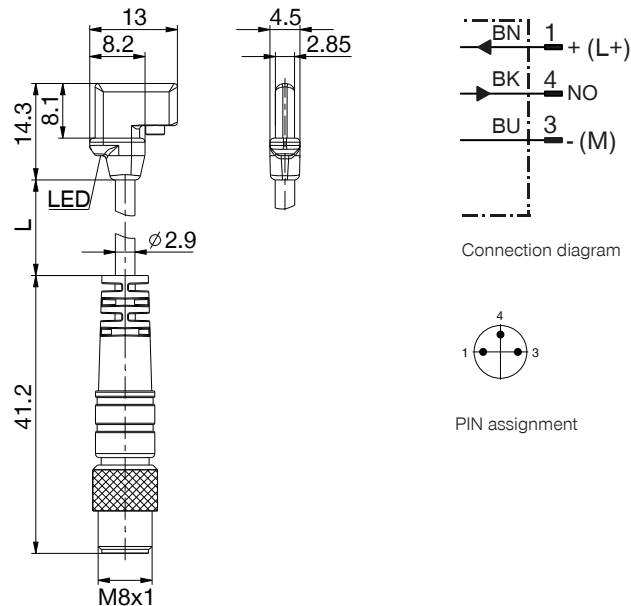
Connection diagram

- ① Center of sensor element
- ② Fixing screw
- ③ Display LED
- ④ Teach-in button
- ⑤ Display LED
- ⑥ Ribs for cable ties

Order no.	MFS01-K-KHC-P2-PNP
General data	
Cylinder design	C-slot
Housing length [mm]	13
Switching output	2 x PNP
Switching frequency [Hz]	7000
Switching function	Normally open (NO)
Electrical version	DC 4-wire
Protection to IEC 60529	IP67
Certification	CE
Electrical / Mechanical data	
Supply voltage [V DC]	12 ... 30
Current consumption [mA]	≤15
Voltage drop [V]	≤2.2
Continuous current [mA]	≤100
Detection zone [mm]	0 ... 20
Hysteresis typ. [mT]	1
Reproducibility [mT]	≤0.1
Protected against polarity reversal	Yes
Short-circuit-proof	Yes
Power-up pulse protection	Yes
Ambient temperature range [°C]	-20 ... +75
Shock and vibration resistance	30 g, 11 ms / 10 ... 55 Hz, 1 mm
Housing Material	Plastics
Connection type	Cable
Cable length [m]	5
Nr. of wires x diameter [mm ²]	4x0.08
Cable sheath material	PUR
Bending radius for fixed routing, min.	3xØ
Bending radius when using a drag chain, min.	5xØ

MAGNETIC FIELD SENSORS

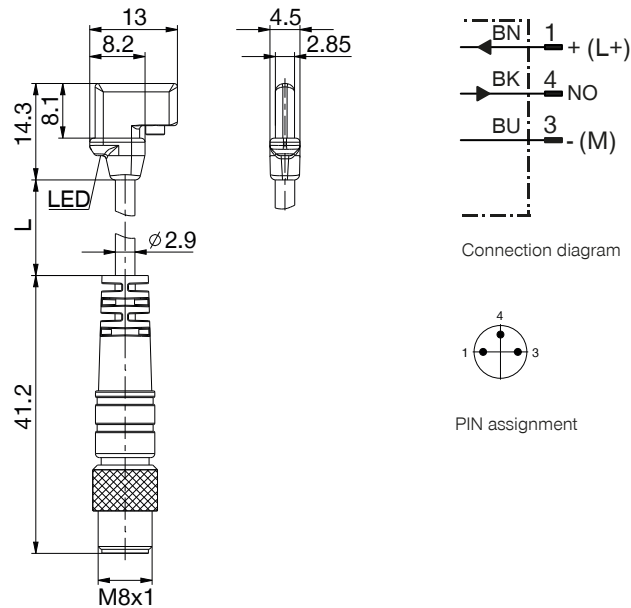
MFS01-S-KHC-P1-NPN



Order no.	MFS01-S-KHC-P1-NPN
General data	
Cylinder design	C-slot
Housing length [mm]	13
Switching output	NPN
Switching frequency [Hz]	1000
Switching function	Normally open (NO)
Electrical version	DC 3-wire
Protection to IEC 60529	IP68
Certification	CE
Electrical / Mechanical data	
Supply voltage [V DC]	10 ... 30
Current consumption [mA]	≤8
Voltage drop [V]	≤2.5
Continuous current [mA]	≤100
Response sensitivity typ. [mT]	1.7
Overrun distance typ. [mm]	2
Hysteresis typ. [mT]	≤0.4
Reproducibility [mT]	≤0.1
Protected against polarity reversal	Yes
Short-circuit-proof	Yes
Power-up pulse protection	Yes
Ambient temperature range [°C]	-30 ... +80
Shock and vibration resistance	30 g, 11 ms / 10 ... 55 Hz, 1 mm
Housing Material	Plastics
Connection type	Cable/Connector
Fixing thread	M8
Cable length [m]	0.3
Nr. of wires x diameter [mm ²]	3x0.14
Cable sheath material	PUR
Bending radius for fixed routing, min.	3x \varnothing
Bending radius when using a drag chain, min.	5x \varnothing

MAGNETIC FIELD SENSORS

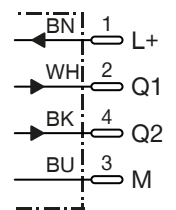
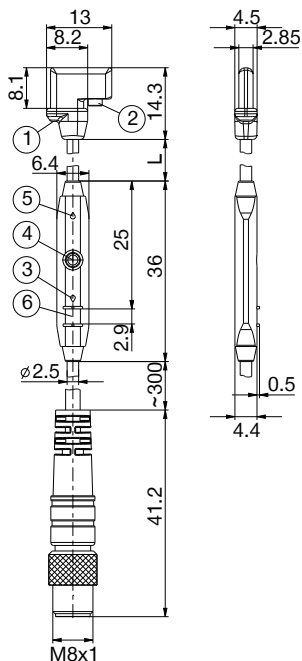
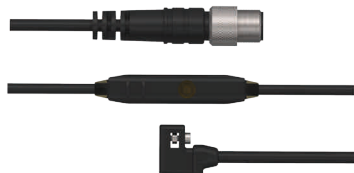
MFS01-S-KHC-P1-PNP



Order no.	MFS01-S-KHC-P1-PNP
General data	
Cylinder design	C-slot
Housing length [mm]	13
Switching output	PNP
Switching frequency [Hz]	1000
Switching function	Normally open (NO)
Electrical version	DC 3-wire
Protection to IEC 60529	IP68
Certification	CE
Electrical / Mechanical data	
Supply voltage [V DC]	10 ... 30
Current consumption [mA]	≤8
Voltage drop [V]	≤2.5
Continuous current [mA]	≤100
Response sensitivity typ. [mT]	1.7
Overrun distance typ. [mm]	2
Hysteresis typ. [mT]	≤0.4
Reproducibility [mT]	≤0.1
Protected against polarity reversal	Yes
Short-circuit-proof	Yes
Power-up pulse protection	Yes
Ambient temperature range [°C]	-30 ... +80
Shock and vibration resistance	30 g, 11 ms / 10 ... 55 Hz, 1 mm
Housing Material	Plastics
Connection type	Cable/Connector
Fixing thread	M8
Cable length [m]	0.3
Nr. of wires x diameter [mm ²]	3x0.14
Cable sheath material	PUR
Bending radius for fixed routing, min.	3xØ
Bending radius when using a drag chain, min.	5xØ

MAGNETIC FIELD SENSORS

MFS01-S-KHC-P2-PNP



Connection diagram



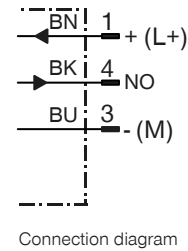
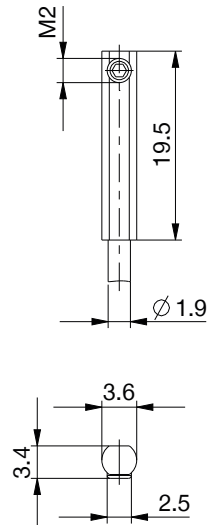
PIN assignment

- ① Center of sensor element
- ② Fixing screw
- ③ Display LED
- ④ Teach-in button
- ⑤ Display LED
- ⑥ Ribs for cable ties

Order no.	MFS01-S-KHC-P2-PNP
General data	
Cylinder design	C-slot
Housing length [mm]	13
Switching output	2 x PNP
Switching frequency [Hz]	7000
Switching function	Normally open (NO)
Electrical version	DC 4-wire
Protection to IEC 60529	IP67
Certification	CE
Electrical / Mechanical data	
Supply voltage [V DC]	12 ... 30
Current consumption [mA]	≤15
Voltage drop [V]	≤2.2
Continuous current [mA]	≤100
Detection zone [mm]	0 ... 20
Hysteresis typ. [mT]	1
Reproducibility [mT]	≤0.1
Protected against polarity reversal	Yes
Short-circuit-proof	Yes
Power-up pulse protection	Yes
Ambient temperature range [°C]	-20 ... +75
Shock and vibration resistance	30 g, 11 ms / 10 ... 55 Hz, 1 mm
Housing Material	Plastics
Connection type	Cable/Connector
Cable length [m]	0.3
Nr. of wires x diameter [mm ²]	4x0.08
Cable sheath material	PUR
Bending radius for fixed routing, min.	3xØ
Bending radius when using a drag chain, min.	5xØ

MAGNETIC FIELD SENSORS

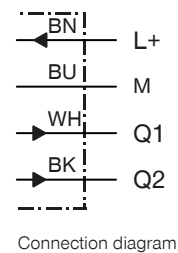
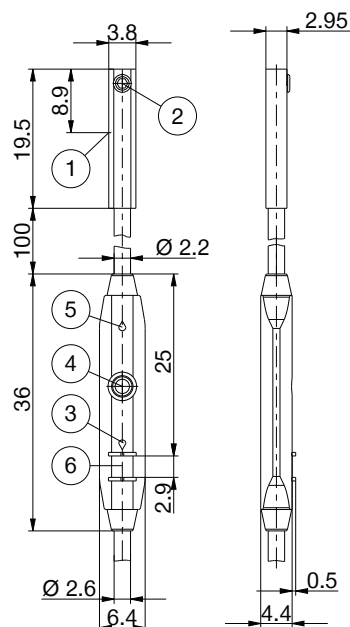
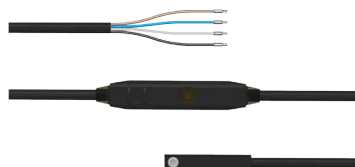
MFS02-K-KHC-P1-PNP



Order no.	MFS02-K-KHC-P1-PNP
General data	
Cylinder design	C-slot
Housing length [mm]	19.5
Switching output	PNP
Switching frequency [Hz]	1000
Switching function	Normally open (NO)
Electrical version	DC 3-wire
Protection to IEC 60529	IP67
Certification	CE
Electrical / Mechanical data	
Supply voltage [V DC]	10 ... 30
Current consumption [mA]	≤8
Voltage drop [V]	≤2.5
Continuous current [mA]	≤100
Response sensitivity typ. [mT]	1.7
Overrun distance typ. [mm]	2
Hysteresis typ. [mT]	≤0.4
Reproducibility [mT]	≤0.1
Protected against polarity reversal	Yes
Short-circuit-proof	Yes
Power-up pulse protection	Yes
Ambient temperature range [°C]	-25 ... +75
Shock and vibration resistance	30 g, 11 ms / 10 ... 55 Hz, 1 mm
Housing Material	Plastics
Connection type	Cable
Cable length [m]	5
Nr. of wires x diameter [mm ²]	3x0.09
Cable sheath material	PUR
Bending radius for fixed routing, min.	3xØ
Bending radius when using a drag chain, min.	5xØ

MAGNETIC FIELD SENSORS

MFS02-K-KHC-P2-PNP

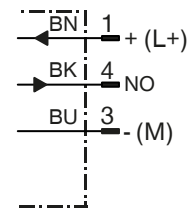
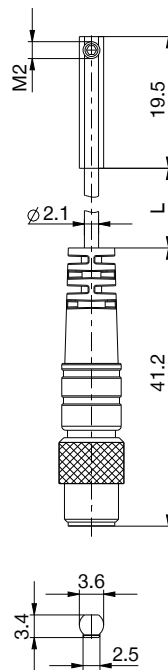


- ① Center of sensor element
- ② Fixing screw
- ③ Display LED
- ④ Teach-in button
- ⑤ Display LED
- ⑥ Ribs for cable ties

Order no.	MFS02-K-KHC-P2-PNP
General data	
Cylinder design	C-slot
Housing length [mm]	19.5
Switching output	2 x PNP
Switching frequency [Hz]	7000
Switching function	Normally open (NO)
Electrical version	DC 4-wire
Protection to IEC 60529	IP67
Certification	CE
Electrical / Mechanical data	
Supply voltage [V DC]	12 ... 30
Current consumption [mA]	≤15
Voltage drop [V]	≤2.2
Continuous current [mA]	≤100
Detection zone [mm]	0 ... 50
Hysteresis typ. [mT]	1
Reproducibility [mT]	≤0.1
Protected against polarity reversal	Yes
Short-circuit-proof	Yes
Power-up pulse protection	Yes
Ambient temperature range [°C]	-20 ... +75
Shock and vibration resistance	30 g, 11 ms / 10 ... 55 Hz, 1 mm
Housing Material	Plastics
Connection type	Cable
Cable length [m]	5
Nr. of wires x diameter [mm ²]	4x0.08
Cable sheath material	PUR
Bending radius for fixed routing, min.	3xØ
Bending radius when using a drag chain, min.	5xØ

MAGNETIC FIELD SENSORS

MFS02-S-KHC-P1-NPN



Connection diagram

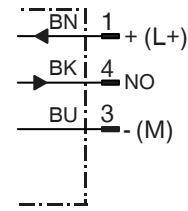
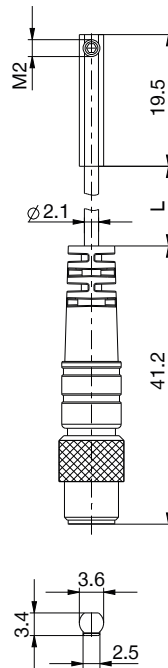


PIN assignment

Order no.	MFS02-S-KHC-P1-NPN
General data	
Cylinder design	C-slot
Housing length [mm]	19.5
Switching output	NPN
Switching frequency [Hz]	1000
Switching function	Normally open (NO)
Electrical version	DC 3-wire
Protection to IEC 60529	IP67
Certification	CE
Electrical / Mechanical data	
Supply voltage [V DC]	10 ... 30
Current consumption [mA]	≤8
Voltage drop [V]	≤2.5
Continuous current [mA]	≤100
Response sensitivity typ. [mT]	1.7
Overrun distance typ. [mm]	2
Hysteresis typ. [mT]	≤0.4
Reproducibility [mT]	≤0.1
Protected against polarity reversal	Yes
Short-circuit-proof	Yes
Power-up pulse protection	Yes
Ambient temperature range [°C]	-25 ... +75
Shock and vibration resistance	30 g, 11 ms / 10 ... 55 Hz, 1 mm
Housing Material	Plastics
Connection type	Cable/Connector
Fixing thread	M8
Cable length [m]	0.3
Nr. of wires x diameter [mm ²]	3x0.09
Cable sheath material	PUR
Bending radius for fixed routing, min.	3xØ
Bending radius when using a drag chain, min.	5xØ

MAGNETIC FIELD SENSORS

MFS02-S-KHC-P1-PNP

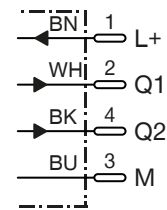
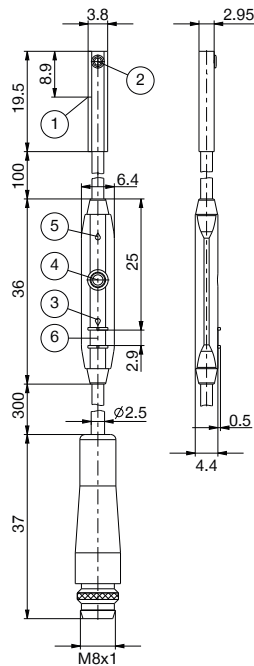


Connection diagram



PIN assignment

Order no.	MFS02-S-KHC-P1-PNP
General data	
Cylinder design	C-slot
Housing length [mm]	19.5
Switching output	PNP
Switching frequency [Hz]	1000
Switching function	Normally open (NO)
Electrical version	DC 3-wire
Protection to IEC 60529	IP67
Certification	CE
Electrical / Mechanical data	
Supply voltage [V DC]	10 ... 30
Current consumption [mA]	≤8
Voltage drop [V]	≤2.5
Continuous current [mA]	≤100
Response sensitivity typ. [mT]	1.7
Overrun distance typ. [mm]	2
Hysteresis typ. [mT]	≤0.4
Reproducibility [mT]	≤0.1
Protected against polarity reversal	Yes
Short-circuit-proof	Yes
Power-up pulse protection	Yes
Ambient temperature range [°C]	-25 ... +75
Shock and vibration resistance	30 g, 11 ms / 10 ... 55 Hz, 1 mm
Housing Material	Plastics
Connection type	Cable/Connector
Fixing thread	M8
Cable length [m]	0.3
Nr. of wires x diameter [mm ²]	3x0.09
Cable sheath material	PUR
Bending radius for fixed routing, min.	3xØ
Bending radius when using a drag chain, min.	5xØ



Connection diagram



PIN assignment

- ① Center of sensor element
- ② Fixing screw
- ③ Display LED
- ④ Teach-in button
- ⑤ Display LED
- ⑥ Ribs for cable ties

Order no.	MFS02-S-KHC-P2-PNP
General data	
Cylinder design	C-slot
Housing length [mm]	19.5
Switching output	2 x PNP
Switching frequency [Hz]	7000
Switching function	Normally open (NO)
Electrical version	DC 4-wire
Protection to IEC 60529	IP67
Certification	CE
Electrical / Mechanical data	
Supply voltage [V DC]	12 ... 30
Current consumption [mA]	≤15
Voltage drop [V]	≤2.2
Continuous current [mA]	≤100
Detection zone [mm]	0 ... 50
Hysteresis typ. [mT]	1
Reproducibility [mT]	≤0.1
Protected against polarity reversal	Yes
Short-circuit-proof	Yes
Power-up pulse protection	Yes
Ambient temperature range [°C]	-20 ... +75
Shock and vibration resistance	30 g, 11 ms / 10 ... 55 Hz, 1 mm
Housing Material	Plastics
Connection type	Cable/Connector
Cable length [m]	0.3
Nr. of wires x diameter [mm ²]	4x0.08
Cable sheath material	PUR
Bending radius for fixed routing, min.	3xØ
Bending radius when using a drag chain, min.	5xØ