

BALL JOINTS

SERIES KG

▶ PRODUCT ADVANTAGES



▶ Lockable displacement position

Be flexible in your application, customise the handling to your workpiece and lock the displacement position with process reliability

▶ Large locating flange

The large mounting surface simplifies your design and allows secure attachment of add-on components

▶ Steel design

The highest force and torque measurement enables flexible for maximum dynamics

▶ THE BEST PRODUCT FOR YOUR APPLICATION



▶ Our products welcome the challenge!

Extreme conditions, all over the world—our tried and tested components and systems give you endless possibilities.

Find the best product for your specific use:

www.zimmer-group.com

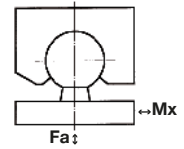


▶ PRODUCT SPECIFICATIONS



▶ Forces and moments

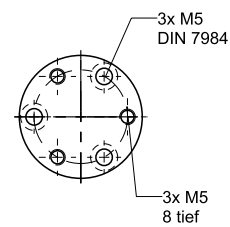
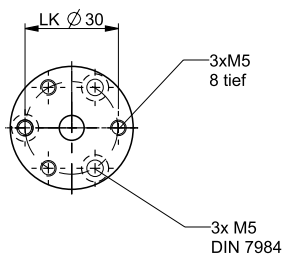
Shows static forces and torques which may impact on the ball joint



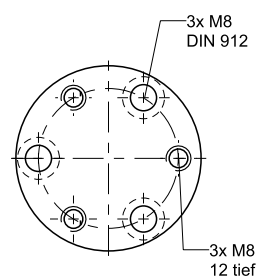
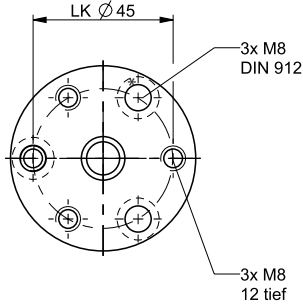
▶ Technical data

| Order no. | KG40 | KG40ST | KG60 | KG60ST | KG80 | KG80ST |
|------------------|------|--------|-------|--------|-------|--------|
| Swivel angle [°] | 30 | 30 | 30 | 30 | 30 | 30 |
| Mx [Nm] | 18 | 18 | 55 | 55 | 124 | 124 |
| Fa [N] | 7500 | 18000 | 15000 | 45000 | 28000 | 70000 |
| Weight [kg] | 0.1 | 0.3 | 0.3 | 0.9 | 0.8 | 2.3 |

KG40
KG40ST



KG60
KG60ST



KG80
KG80ST

