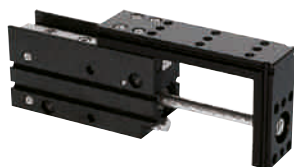


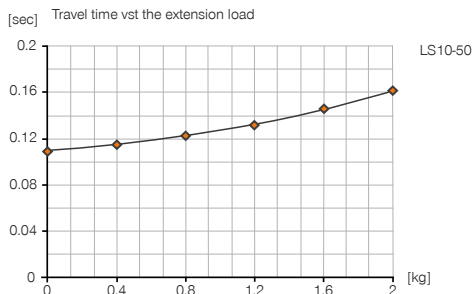
# LINEAR RAIL SLIDES

## LS10-50

### ▶ PRODUCT SPECIFICATIONS

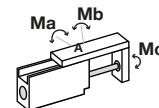


#### ▶ Time diagram



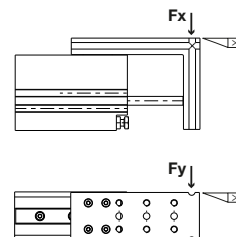
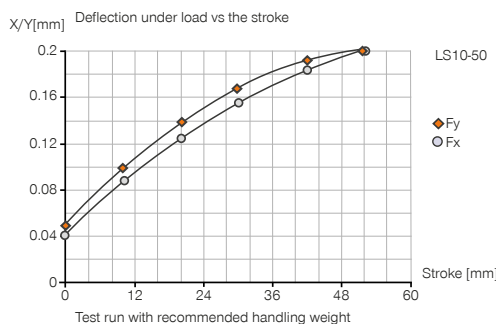
#### ▶ Forces and moments

Max allowable static forces and moments on face A.



Ma [Nm]	3.2
Mb [Nm]	3.2
Mc [Nm]	5.1

#### ▶ Load diagram



### ▶ RECOMMENDED ACCESSORIES



#### ENERGY SUPPLY



**DRVM3X4**  
Flow Control Valves - with Swivel joint



**DSV1-8**  
Pressure safety valve



**DSV1-8E**  
Pressure safety valve with quick exhaust



#### SENSORS



**MFS02-K-KHC-P1-PNP**  
Magnetic field sensor straight, cable 5 m



**MFS02-S-KHC-P1-PNP**  
Magnetic field sensor straight, cable 0.3 m - M8 connector



#### CONNECTIONS / OTHER



**APLS10G**  
Adapter plate



**KAG500**  
Plug-in connector Straight Cable 5m - Socket M8 (female)



**KAW500**  
Plug-in connector Angled Cable 5m - Socket M8 (female)



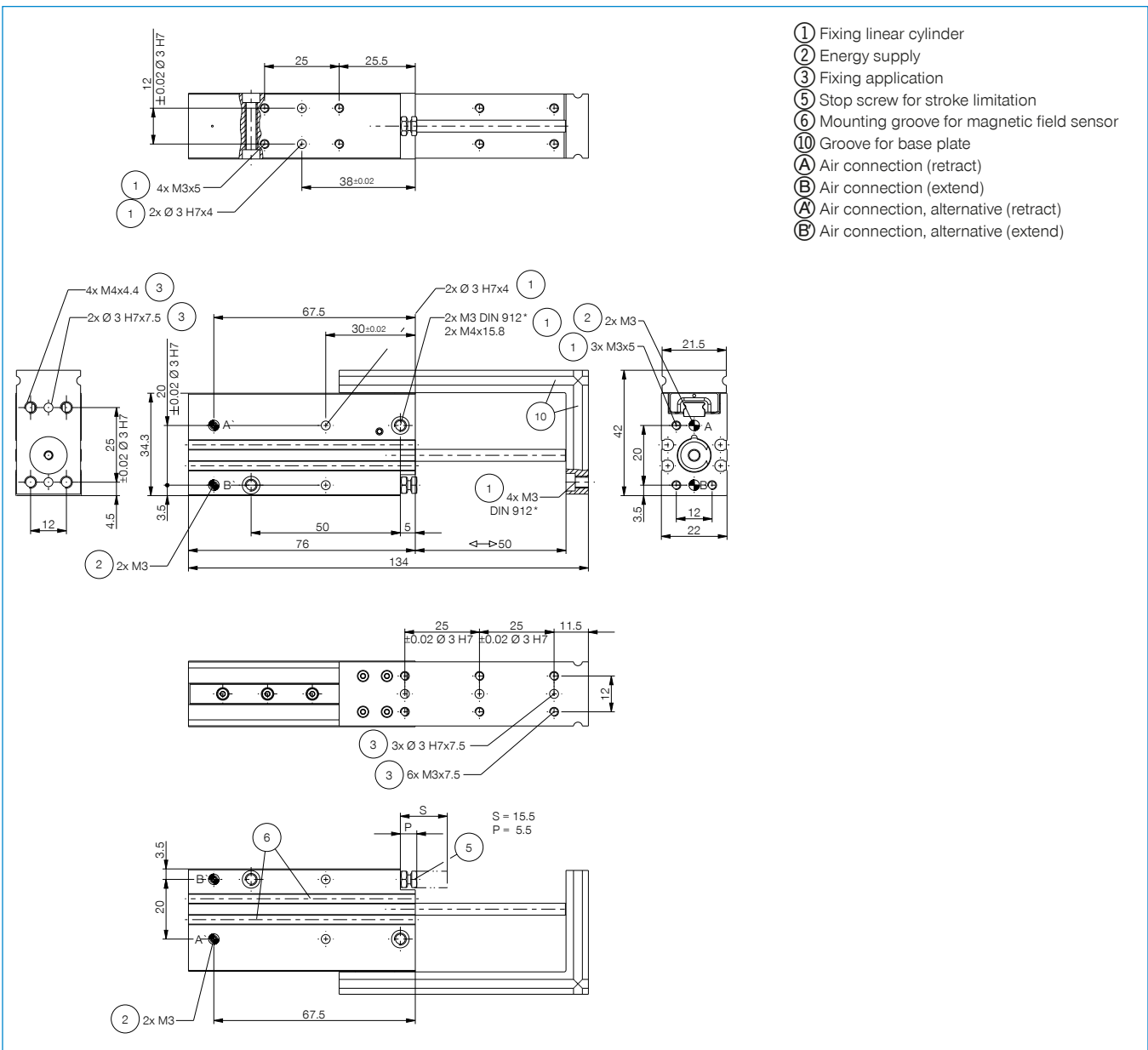
**S8-G-3**  
Plug-in connector customizable Straight - Connector M8



**S12-G-3**  
Plug-in connector customizable Straight - Connector M12

► Technical data

Order no.	LS10-50
Stroke [mm]	50
Pressure force max. [N]	40
Retraction force [N]	30
Piston diameter [mm]	10
Guide rail size [mm]	7
Nominal operating pressure [bar]	6
Operating temperature min. [°C]	5
Operating temperature max. [°C]	+80
Air volume per cycle [cm <sup>3</sup> ]	7.2
Weight [kg]	0.2



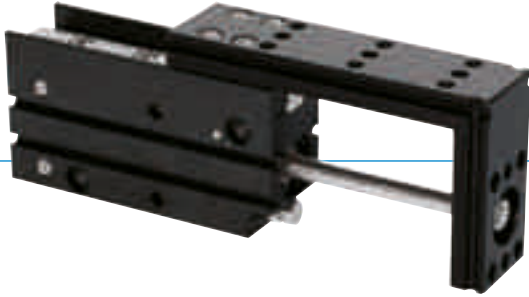
- ① Fixing linear cylinder
- ② Energy supply
- ③ Fixing application
- ⑤ Stop screw for stroke limitation
- ⑥ Mounting groove for magnetic field sensor
- ⑩ Groove for base plate
- A Air connection (retract)
- B Air connection (extend)
- A Air connection, alternative (retract)
- B Air connection, alternative (extend)



# LINEAR RAIL SLIDES

## SERIES LS

### ▶ PRODUCT ADVANTAGES



#### ▶ **Precise profile guide**

The linear guide with ball bearing circulation and scrapers provides high precision and rigidity

#### ▶ **Standardised adapter plate**

Reduce your manufacturing effort and ensure standardisation for your follow-on tools

#### ▶ **Modular layout**

Makes it possible to combine several units directly to each other and to minimise your design effort

### ▶ SERIES CHARACTERISTICS

#### Installation size

#### LSXX-XX



10 million maintenance-free cycles (max.)



Magnetic field sensor

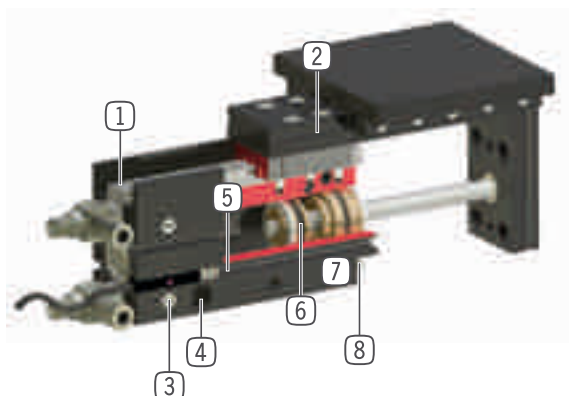


IP40





## ► BENEFITS IN DETAIL



- ① **Linear guide with recirculating ball and wiper**
  - dual linear guidance for high forces and moments capacity
- ② **Mounting groove**
  - quick and cost-effective positioning of adapter plates: Accessory, Art. No. AP..G
- ③ **Energy supply**
  - possible from several sides
- ④ **Mounting and positioning**
  - mounting possible from several sides for versatile positioning
- ⑤ **Mounting groove for magnetic field sensor integrated, space saving position sensing**
- ⑥ **Drive**
  - double-acting pneumatic cylinder
- ⑦ **Robust, lightweight housing**
  - Hard-coated aluminum alloy
- ⑧ **Stroke limiting screw**

## ► TECHNICAL DATA

Installation size	Stroke [mm]	Pressure force max. [N]	Retraction force [N]	Weight [kg]	IP class
LS10	25 - 50	40	30	0,15 - 0,2	IP40
LS16	25 - 50	100	85	0,25 - 0,3	IP40

## ► FURTHER INFORMATION IS AVAILABLE ONLINE



All information just a click away at: [www.zimmer-group.com](http://www.zimmer-group.com). Find data, illustrations, 3D models and operating instructions for your installation size using the order number for your desired product. Quick, clear and always up-to-date.