

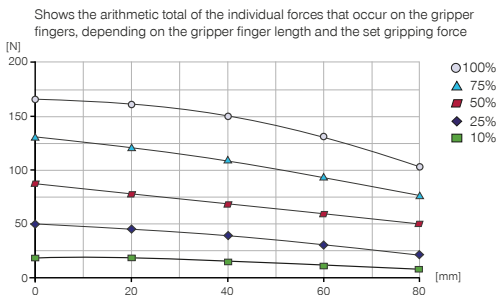
2-JAW PARALLEL GRIPPERS WITH LONG STROKE

HRC-02-093390

▶ PRODUCT SPECIFICATIONS



▶ Gripping force diagram



▶ Forces and moments

Displays static forces and moments that can also have an effect, besides the gripping force.



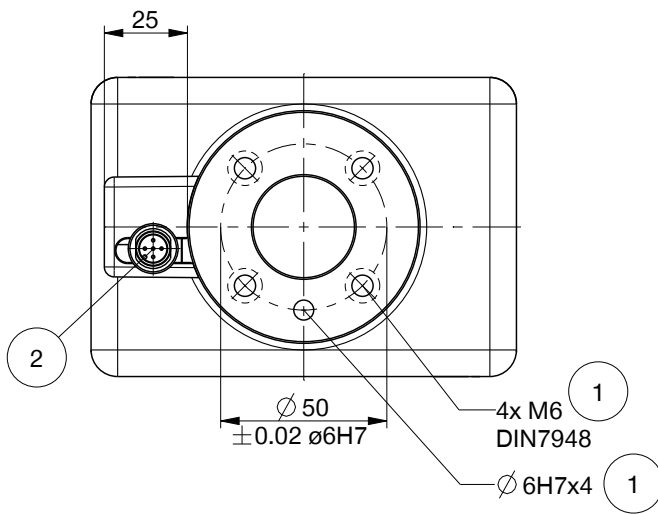
Mr [Nm]	25
Mx [Nm]	25
My [Nm]	25
Fa [N]	500

▶ TECHNICAL DATA

Order no.	HRC-02-093390
Suitable for robot type	ISO TK 50
HRC design according to ISO/TS 15066	Yes
HRC form	collaborative
Cable management	external
Type of drive	electrical
Control	IO-Link
Integrated position sensing	Using process data
Stroke per jaw [mm]	40
Stroke per jaw, adjustable [mm]	40
Self locking mechanism	-
Gripping force min. [N]	15
Gripping force max. [N]	165
Gripping force in accordance with ISO/TS 15066 [N]*	<140
Control time [s]	0.125
Permissible weight per jaw max [kg]	0.3
Length of the gripper fingers max. [mm]	80
Jaw speed in force mode max. [mm/s]	24
Jaw speed in positioning mode max. [mm/s]	55
Repetition accuracy +/- [mm]	0.05
Operating temperature [°C]	5 ... +50
Voltage [V]	24
Current consumption max. [A]	1.6
Minimum positioning path per jaw [mm]	2
Protection to IEC 60529	IP40
Weight [kg]	1.550

*Value based on the parameters described in the ISO/TS 15066, determined with a force measuring device certified by the DGUV (German Social Accident Insurance)

▶ TECHNICAL DRAWINGS



- ① Gripper attachment
- ② Energy supply
- ③ Fixing for gripper finger
- ④ Robot mount

